



The Leading Manufacturer of Vertical Form Fill  
and Seal Packaging Solutions

# GIC4100



The GIC4100 is an Intermittent motion servo machine ideal for producing a wide range of pack formats with bag widths of up to 400mm. The GIC4100 incorporates robust proven mechanical design and the latest Allen Bradley maintenance free servo technology to ensure industry leading reliability and low cost of ownership.

## Applications

The GIC4100 is suitable for a wide range of applications including (but not limited to);- Fresh and frozen foods, confectionery, snacks, powders & pulses, hardware, aggregates and liquids.

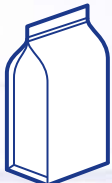
## Integration

The GIC4100 is designed to integrate with all types of infeed systems; including multi-head weighers (MHW), augers, linear weighers, volumetric fillers, liquid pumps, bucket elevators and counters. Downstream plant interface connections are also provided.

## Pack Styles



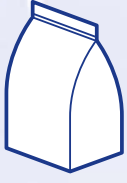
Pillow



Quad



Gusseted



Block Bottom



Doy



Zip



Euroslot

## GIC4100

**MAXIMUM FINISHED FLAT BAG WIDTH:** 400mm

**MAXIMUM SPEED:** 75 PACKS PER MINUTE

**POWER SUPPLY:** 3 PHASE SUPPLY – 415V 3PH + N AND E. 25A PER PHASE D RATED

**COMPRESSED AIR REQUIREMENT:** DEPENDENT ON SPEED AND APPLICATION

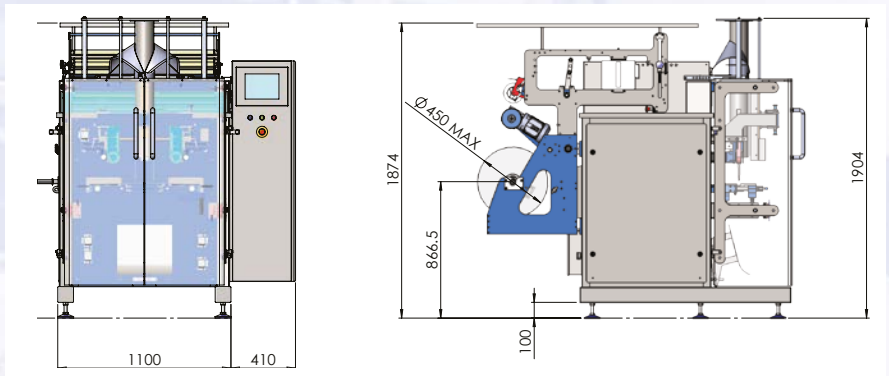
**FINISH:** BLACK HARD ANODISED ALUMINIUM AND STAINLESS STEEL

**PACKAGING MATERIALS:** ALL SUITABLE HEAT SEALABLE MATERIALS INCLUDING LAMINATES AND POLYETHYLENES (OPTIONAL IMPULSE SEALING). CAN BE ADAPTED FOR PAPER

**REEL OUTER DIAMETER:** 450mm

**REEL CORE DIAMETER:** 76mm

**WEIGHT:** 1060kg



## GIC4100 Servo Machine Specification

- Full maintenance-free Rockwell Allen Bradley Kinetix 5500 servo drives
- Rockwell Allen Bradley Compact Logix PLC
- Full feature 10-inch colour Rockwell Allen Bradley panel view plus 7 1000 MMI touch screen
- Black hard anodised aluminium and stainless-steel finish
- Servo driven twin belt film transport
- Drop on air mandrel allowing for easy loading of film
- Full SMC pneumatics with additional manifold capacity built-in
- Pneumatic mechanical web tension control with electronic monitored actuation
- Serrated cut off knife
- Reel run out sensor
- Wrapper print registration (PEC)
- Provision for integrated printer mounting and anvil plates
- Manual splice table with integrated tape dispenser
- Manual film tracking incorporating coder and labeller
- Pack discharge chute
- PETG safety guards (10mm thick) complete with safety switches

## Optional Features

- Remote access
- Full stainless steel and high care upgrade
- Gas flushing
- Impulse poly-welding and alternative sealing systems
- Label application and print options
- Discharge elevator
- Pack turning device

## Optional Non-Servo and (or) Mild Steel Specification

- Lower cost
- Pneumatic crimp jaw closure operation
- Full feature 7-inch colour Rockwell Allen Bradley panel touch screen MMI
- Motorised twin belt film transport
- Black hard anodised aluminium and painted mild steel

GIC Ltd  
Alpha Works, Heapham Road Industrial Estate  
Gainsborough, Lincolnshire DN21 1RZ

+44 127 611885 info@gic.uk.net

www.gic.uk.net

