

GIC2100



The GIC2100 is an intermittent motion servo machine ideal for producing a wide range of pack formats with bag widths of up to 250mm. The GIC2100 incorporates robust, proven mechanical design and the latest Rockwell Allen Bradley maintenance-free servo technology to ensure industry-leading reliability and low cost of ownership.

Applications

Fresh and frozen foods, confectionery, snacks, powders, pulses, hardware and liquids.

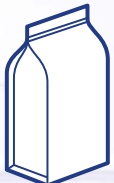
Integration

The GIC2100 is designed to integrate with all types of infeed systems; including multi-head weighers (MHW), augers, linear weighers, volumetric fillers, liquid pumps, bucket elevators and counters. Downstream plant interface connections are also provided.

Pack Styles



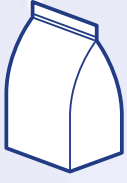
Pillow



Block Bottom



Gusseted



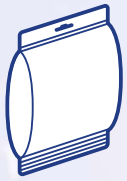
Quad



Doy



Zip



Euroslot

GIC2100

MAXIMUM FINISHED FLAT BAG WIDTH: 250mm

MAXIMUM SPEED: 75 PACKS PER MINUTE

POWER SUPPLY: 3 PHASE SUPPLY – 415V 3PH + N AND E. 25A PER PHASE D RATED

COMPRESSED AIR REQUIREMENT: DEPENDENT ON SPEED AND APPLICATION

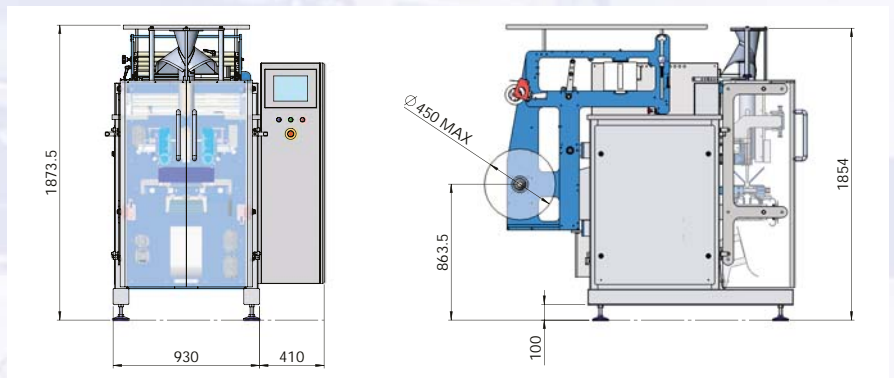
FINISH: BLACK HARD ANODISED ALUMINIUM AND STAINLESS STEEL

PACKAGING MATERIALS: ALL SUITABLE HEAT SEALABLE MATERIALS INCLUDING LAMINATES AND POLYETHYLENES (OPTIONAL IMPULSE SEALING). CAN BE ADAPTED FOR PAPER

REEL OUTER DIAMETER: 450mm

REEL CORE DIAMETER: 76mm

WEIGHT: 800kg



GIC2100 Servo Specification

- Full maintenance-free Rockwell Allen Bradley Kinetix 5500 servo drives
- Rockwell Allen Bradley Compact Logix PLC
- Full feature 10-inch colour Rockwell Allen Bradley panel view plus 7 1000 MMI touch screen
- Black hard anodised aluminium and stainless-steel finish
- Servo-driven twin belt film transport
- Low-level cantilevered film feed air mandrel
- Full SMC pneumatics with additional manifold capacity built-in
- Pneumatic mechanical web tension control with electronic monitored actuation
- Serrated cut-off knife
- Reel run-out sensor
- Wrapper print registration (PEC)
- Provision for integrated Printer mounting and anvil plates
- Manual splice table with integrated tape dispenser
- Manual film tracking incorporating optional coder and labeller
- Pack discharge chute
- PETG safety guards (10mm thick) complete with safety switches

Optional Features

- Remote access
- Full stainless steel and high-care upgrade
- Gas flushing
- Impulse poly-welding and alternative sealing systems
- Label application and print options
- Discharge elevator
- Pack turning device

Optional Non-Servo and (or) Mild Steel Specification

- Lower cost
- Pneumatic crimp jaw closure operation with motorised film feed drive
- Full feature 7-inch colour Rockwell Allen Bradley panel touch screen MMI
- Motorised twin belt film transport
- Black hard anodised aluminium and painted mild steel

GIC Ltd
Alpha Works, Heapham Road Industrial Estate
Gainsborough, Lincolnshire DN21 1RZ

+44 127 611885 info@gic.uk.net

www.gic.uk.net f in t

