



The Leading Manufacturer of Vertical Form Fill  
and Seal Packaging Solutions

# GIC8100



The GIC8100 is a high-speed constant motion servo machine best suited for gusseted, quad or doy pack formats or where the product requires a high-care environment. The GIC8100 can pack bag widths up to 400mm and incorporates robust, proven mechanical design and the latest Allen Bradley maintenance-free servo technology to ensure industry-leading reliability and low cost of ownership.

## Applications

The GIC8100 is suitable for a wide range of applications including (but not limited to): Fresh and frozen foods, snacks and confectionery, powders and pulses, salad, herbs, and protein.

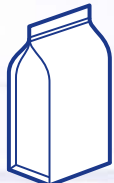
## Integration

The GIC3000 is designed to integrate with all types of infeed feed systems; including, multi-head weighers (MHW), augers, linear weighers, volumetric pumps, counters and cup fillers. Downstream plant interface connections are also provided.

## Pack Styles



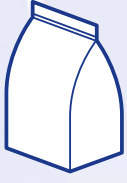
Pillow



Quad



Gusseted



Block Bottom



Doy



Zip



Euroslot

## GIC8100

**MAXIMUM FINISHED FLAT BAG WIDTH:** 400mm

**MAXIMUM SPEED:** 160 PACKS PER MINUTE

**POWER SUPPLY:** 3 PHASE SUPPLY – 415V 3PH + N AND E. 25A PER PHASE D RATED

**COMPRESSED AIR REQUIREMENT:** DEPENDENT ON SPEED AND APPLICATION

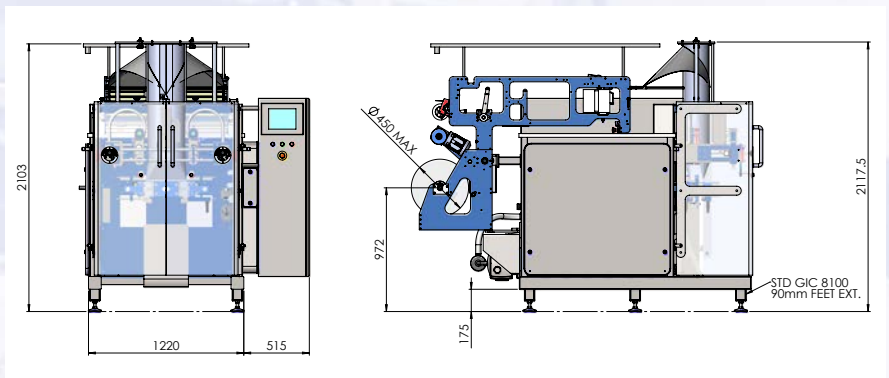
**FINISH:** BLACK HARD ANODISED ALUMINIUM AND STAINLESS STEEL

**PACKAGING MATERIALS:** ALL SUITABLE HEAT SEALABLE MATERIALS INCLUDING LAMINATES AND POLYETHELENES (OPTIONAL IMPULSE SEALING). CAN BE ADAPTED FOR PAPER

**REEL OUTER DIAMETER:** 480mm

**REEL CORE DIAMETER:** 76mm

**WEIGHT:** 1100kg



## GIC8100 Machine Specification

- Full maintenance-free Allen Bradley Kinetix 5500 Servo Drives x 5
- Allen Bradley Compact Logix PLC
- Full feature 10-inch colour Allen Bradley panel view plus 7 1000 MMI touch screen
- Rotary band back seal system
- Servo driven twin belt film transport with vacuum assist
- Drop on air mandrel, allows for easy loading of film
- Hinged electrical enclosure for dual sided access
- Full SMC pneumatics with additional manifold capacity built-in
- Pneumatic mechanical web tension control with electronic monitored actuation
- 'High Care Environment' specification as standard
- Reel run out sensor
- Manual film tracking incorporating coder and labeller
- Wrapper print registration (PEC)
- Provision for integrated coder mounting and print roller
- Manual splice table with integrated tape dispenser
- Pack discharge chute
- PETG safety guards (10mm thick) complete with safety switches

## Optional Features

- Continuous film feed mounted quad sealing system
- Full servo driven automatic pack gusseting/block bottom
- Remote access
- Gas flushing
- Impulse poly-welding and alternative sealing systems
- Label application and print options
- Discharge elevator
- Pack turning device
- Carry bag handle application

GIC Ltd  
Alpha Works, Heapham Road Industrial Estate  
Gainsborough, Lincolnshire DN21 1RZ

+44 127 611885 info@gic.uk.net

www.gic.uk.net f in t

